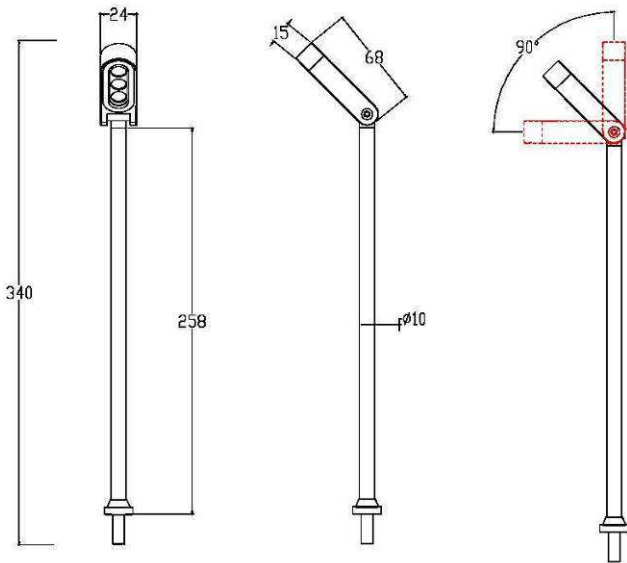


LED JEWELRY LIGHT

MODEL-A : WM1012D-WH



MODEL-A : WM1012D-BK



MODEL-A : WM1012D-SILVER



MODEL-B : WM3006D



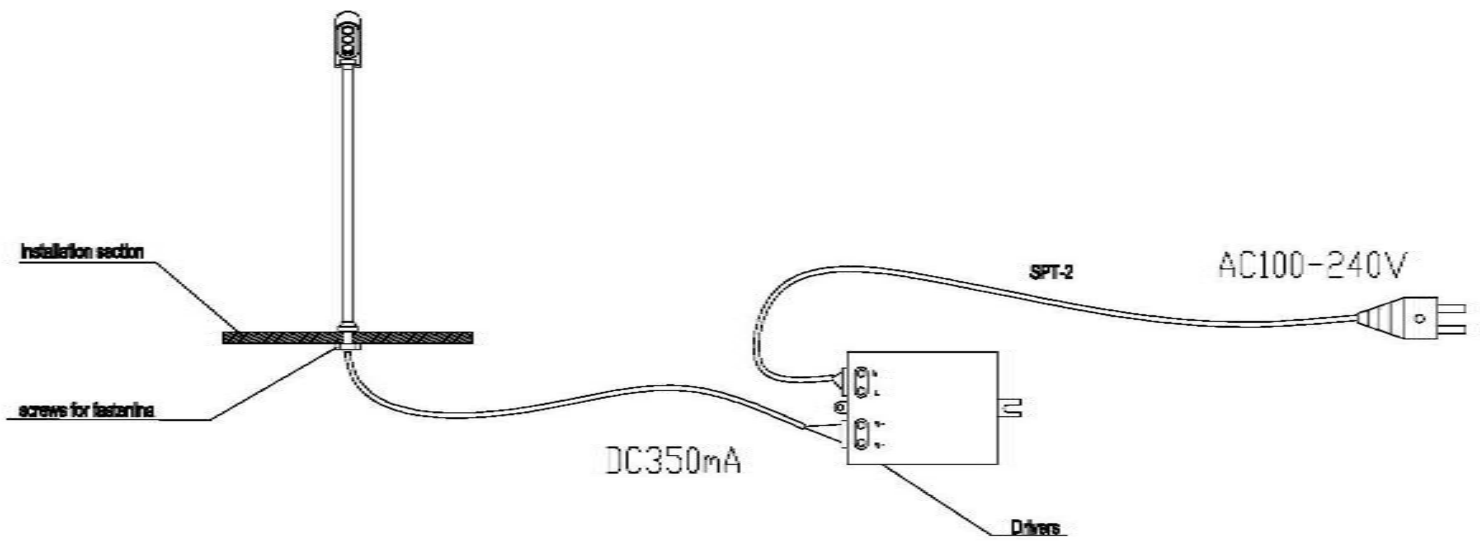
MODEL-C : WM2003H-SILVER



SPECIFICATION

	WM1012D	WM3006D	WM2003H
PHOTO			
MATERIAL	ALUM. ALLOY	ALUM. ALLOY	ALUM. ALLOY
LAMP COLOR	WH PAINTING/ BK PAINTING/ BRUSH	WH PAINTING/ BK PAINTING/ BRUSH	WH PAINTING/ BK PAINTING/ BRUSH
LED	CREE 1W*3	CREE 3W*1	LUMENMAX 3014
COLOR TEMP.	CW(6000-6500K) NW(4000-4300K) WW(2800-3200K)	CW(6000-6500K) NW(4000-4300K) WW(2800-3200K)	CW(6000-6500K) NW(4000-4300K) WW(2800-3200K)
IP GRADE	IP20	IP20	IP20

INSTALLATION



REFERENCE

COLOR AVAILABLE : PAINTING, ANODIZING

